

**Plaster 18 mm notching**

Order No: \_\_\_\_\_

Surface: \_\_\_\_\_

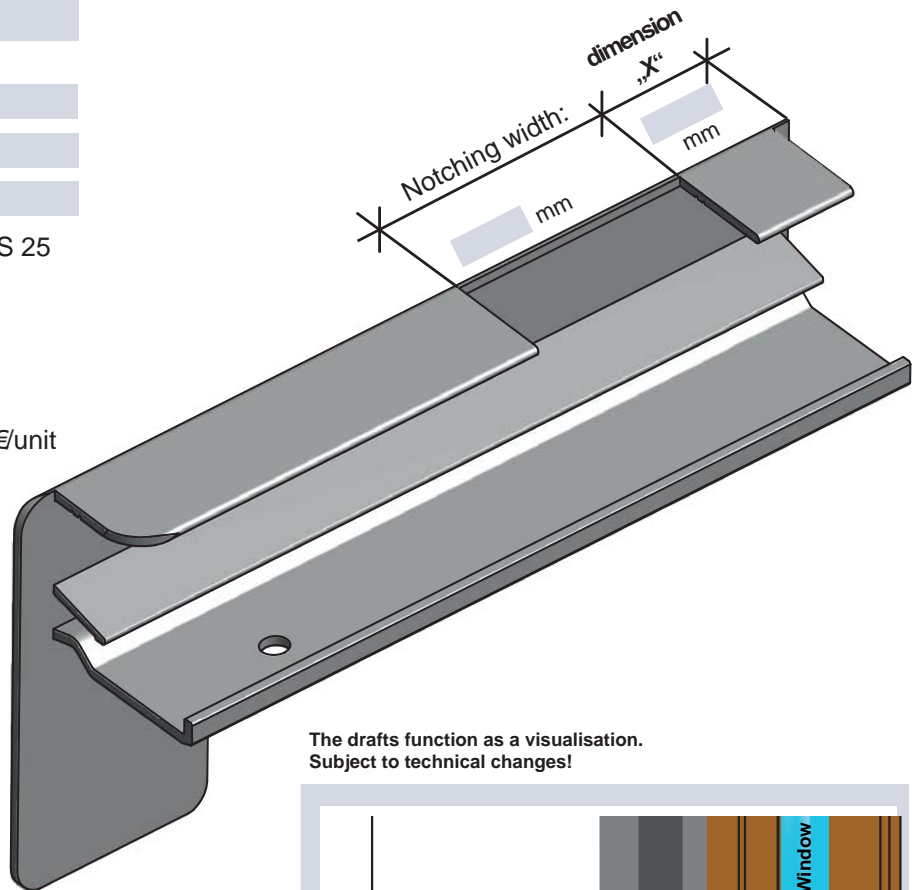
Overhang: \_\_\_\_\_

Drip edge:  FBS 40  FBS 25

Piece R: \_\_\_\_\_

Piece L: \_\_\_\_\_

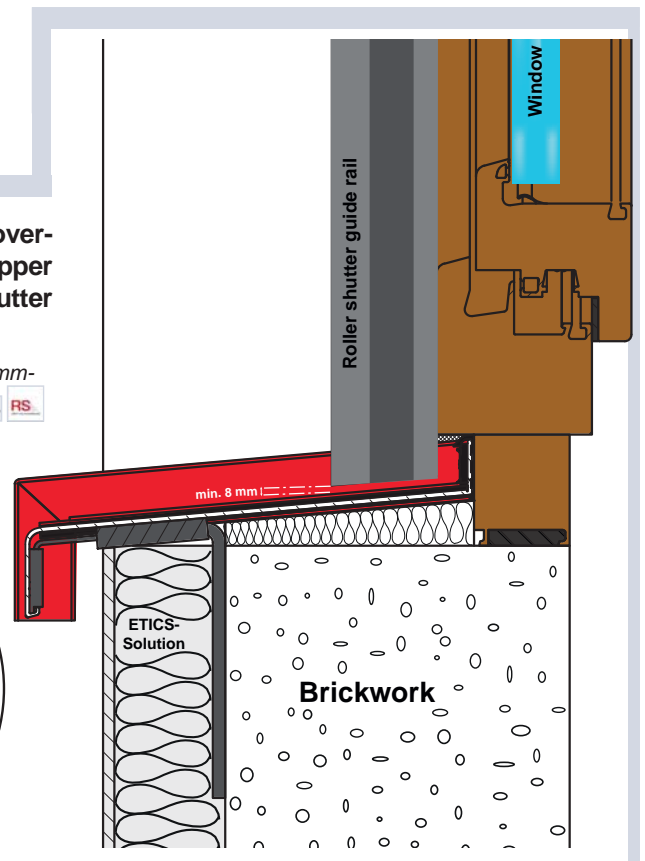
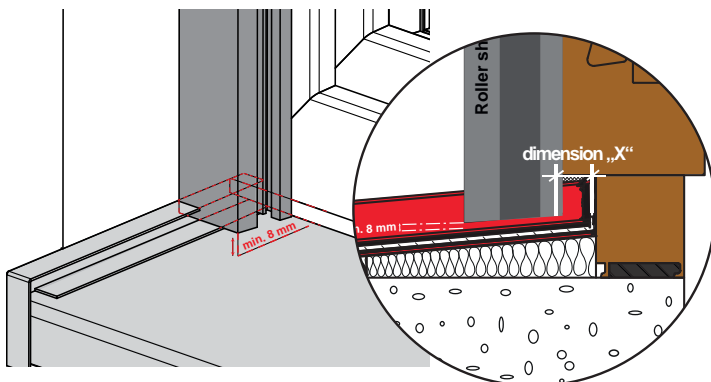
Price: \_\_\_\_\_ €/unit



The drafts function as a visualisation.  
Subject to technical changes!

**The roller shutter guide rail needs to end within the lateral overhang and should be end by a maximum of 8 mm from the upper edge of the window sill. Direct placement of the roller shutter guide rail on the window sill is not permissible.**

(aus „Richtlinie - Anschlüsse an Fenster und Rolläden bei PUTZ, Wärmedämm-Verbundsystem und Trockenbau, 2nd edition dated 10/2010, p. 23)



\_\_\_\_\_  
Name/Signature

\_\_\_\_\_  
Company stamp/Date/Signature

In addition, our general terms of sales, delivery and payment apply. You will find these at: [www.rbb-aluminium.de/grafik/avlzb.pdf](http://www.rbb-aluminium.de/grafik/avlzb.pdf).

All prices plus the legal value added to.

