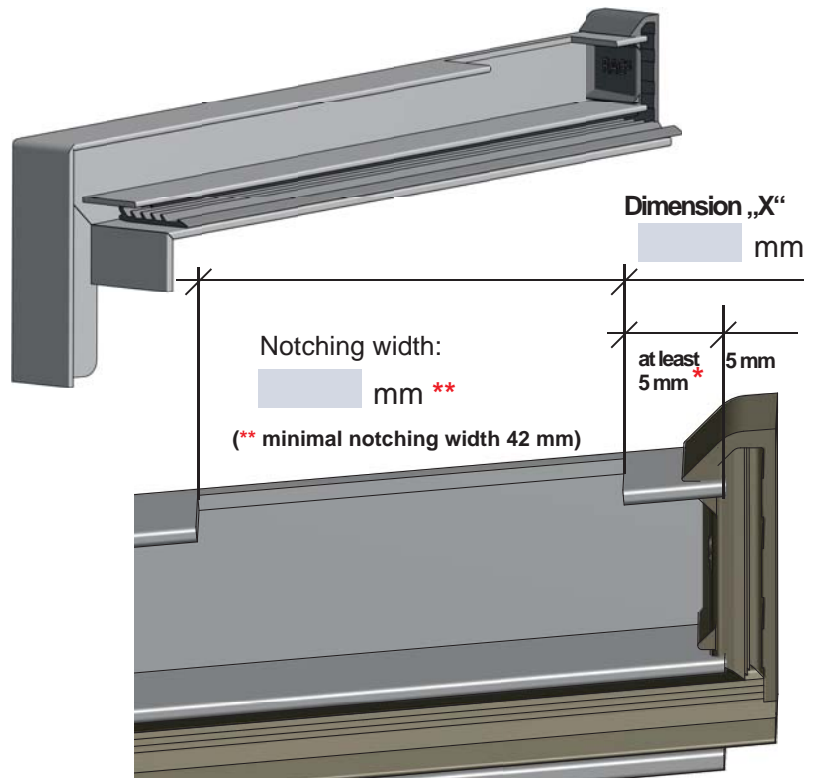


RAG² notching

Order No: _____
 Surface: _____
 Overhang: _____
 Drip edge: FBS 40 FBS 25
 Piece(s) R: _____
 Piece(s) L: _____
 Price: _____ €/unit

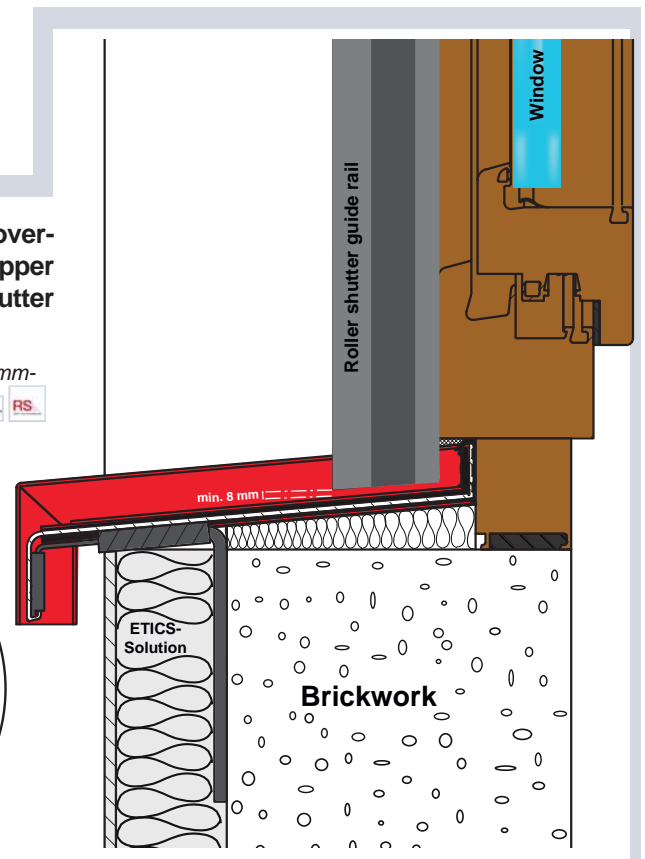
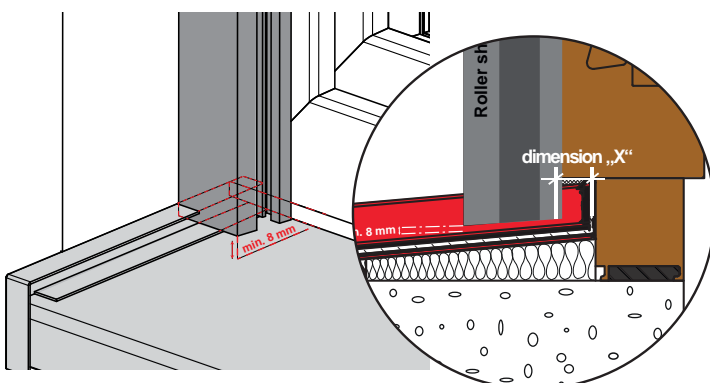


(* strict minimum = 5 mm (necessary for sealing groove))

The drafts function as a visualisation.
Subject to technical changes!

The roller shutter guide rail needs to end within the lateral overhang and should be end by a maximum of 8 mm from the upper edge of the window sill. Direct placement of the roller shutter guide rail on the window sill is not permissible.

(aus „Richtlinie - Anschlüsse an Fenster und Rolläden bei PUTZ, Wärmedämm-Verbundsystem und Trockenbau, 2nd edition dated 10/2010, p. 23)



Name/Signature

Company stamp/Date/Signature

In addition, our general terms of sales, delivery and payment apply. You will find these at: www.rbb-aluminium.de/grafik/avlzb.pdf.

All prices plus the legal value added to.