

Circular window sills

Annex to:

Screw mounting edge: mm

Drip edge: mm

Overhang: mm

Wall thickness: mm

Surface:

Piece(s):

Inside diameter: mm
(lower screw mounting edge)

Pitch: mm

Including water spout:
for an additional charge
(width: approx. 30 mm; height: approx. 17 mm)

The mounted window sill to be installed is:
circular 360°
(one-part diameter up to 799 mm; two-part* diameter from 800 mm)

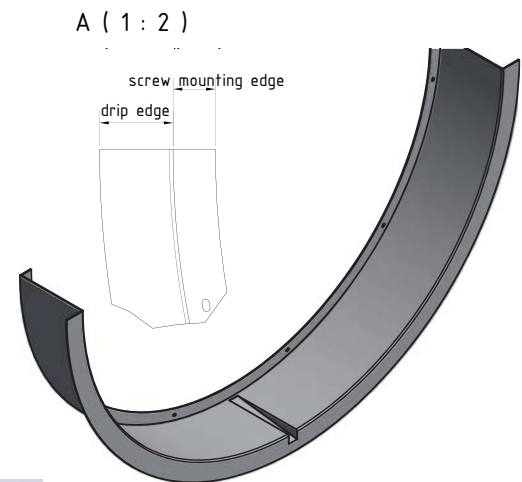
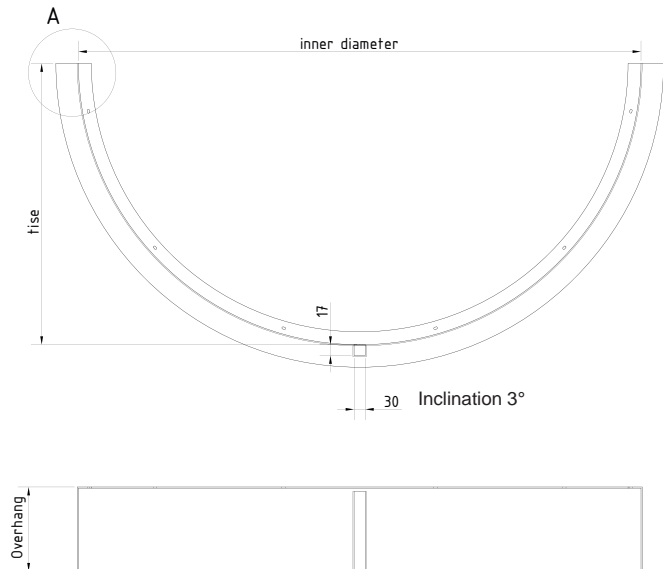
semicircular 180°
(one-part diameter up to 1.909 mm)

semicircular 180°
(three-part* diameter from 1.910 mm)

1/3-circular 120°

other:

Price: €/unit
(* delivery including flexible sealing profile)



Please pay attention to our instructions in the technical information!

The drafts function as a visualisation. Subject to technical changes!
The manufacturing takes place in three-part starting at a length, before bending, from 3.000 mm resp. starting at a diameter of 1.910 mm. To assemble the components we principally recommend welding the parts. Please order appropriate end pieces and connectors separately!!

To ensure a reliable water draining in semicircular window sills, we generally recommend the installation of a gargoye at the low point of the window sill! We do not assume any warranty for the correct drainage of window sills, if gargoye is missing. A sufficient slope of the window sill with a composed cross section in circular form can not be guaranteed without the gargoye.

Please note that differences in the colour as in the surface structure may appear in the area of the welded seam by anodized surfaces. Out of visual reasons we generally recommend the use of a powder coated window sill. Any complaints by anodized surfaces are generally excluded.

For example:
Alternatively to E6/ EV1 we recommend RAL 9006 "white aluminium" or RAL 9022 "pearl light grey"
Alternatively to E6/ C34 – RAL 8077 "dark brown".

In addition, our general terms of sales, delivery and payment apply. You will find these at: www.rbb-aluminium.de/grafik/avlzb.pdf. All prices plus the legal value added to.

Kind regards

Name/Signature



Company stamp/Date/Signature